

**FARFISA**







**ELECTRONIC ORGAN**

Mod. **Bravo**

**SCHEMATIC DIAGRAM  
&  
TECHNICAL INFORMATION**



# LEGENDA

-  K2.1 FEMALE CONNECTOR SYMBOL (es. K2. 1)
-  PLUG IN CONNECTOR SYMBOL
-  OUTPUT SIGNAL (TO DWG... ) or (TO PA-...)
-  INPUT SIGNAL (FROM DWG... ) or (FROM PA-...)
-  TEST POINT (TP...)
-  CONNECTING POINT (ON p.c.b.)

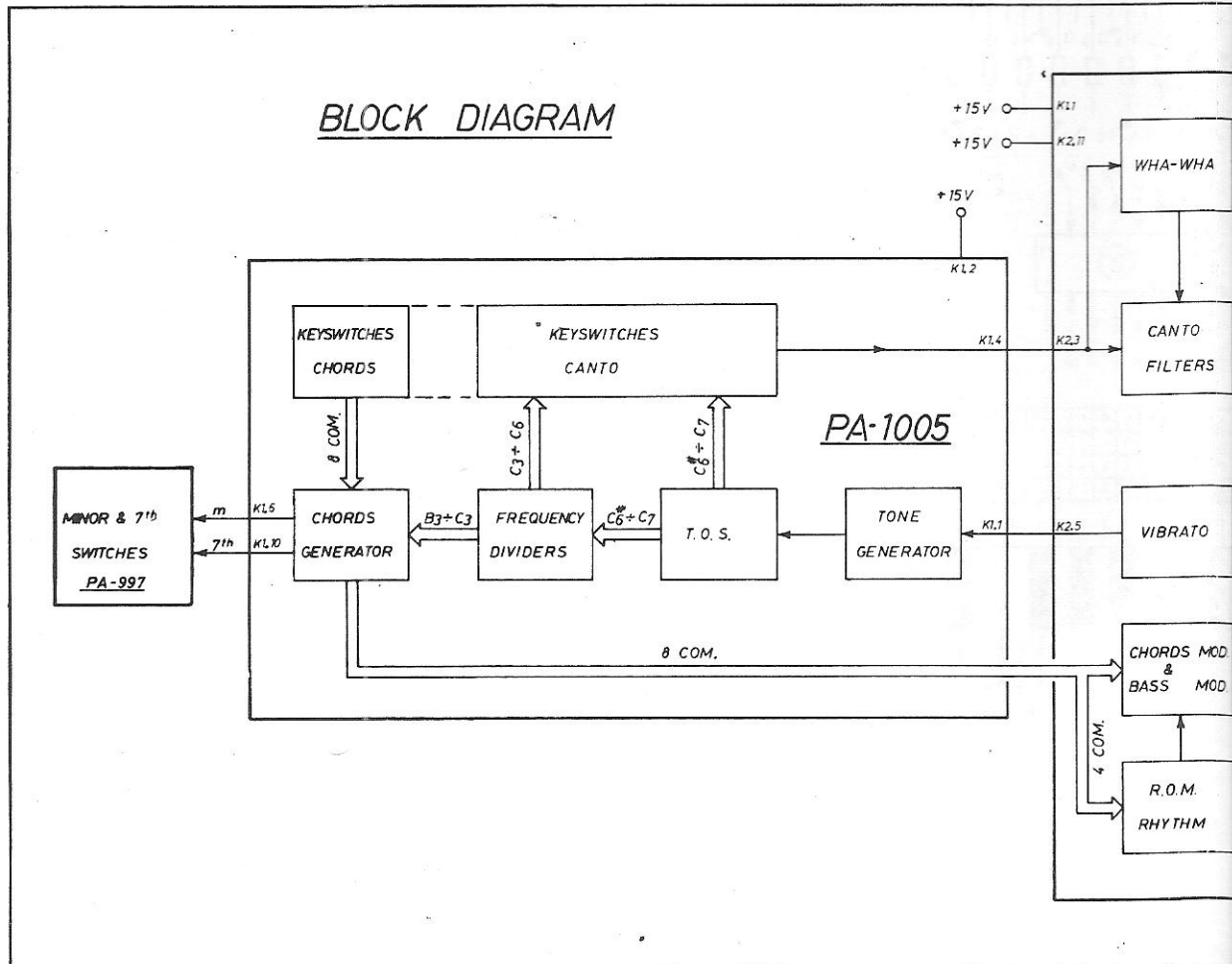
All resistors 1/4 unless otherwise indicated

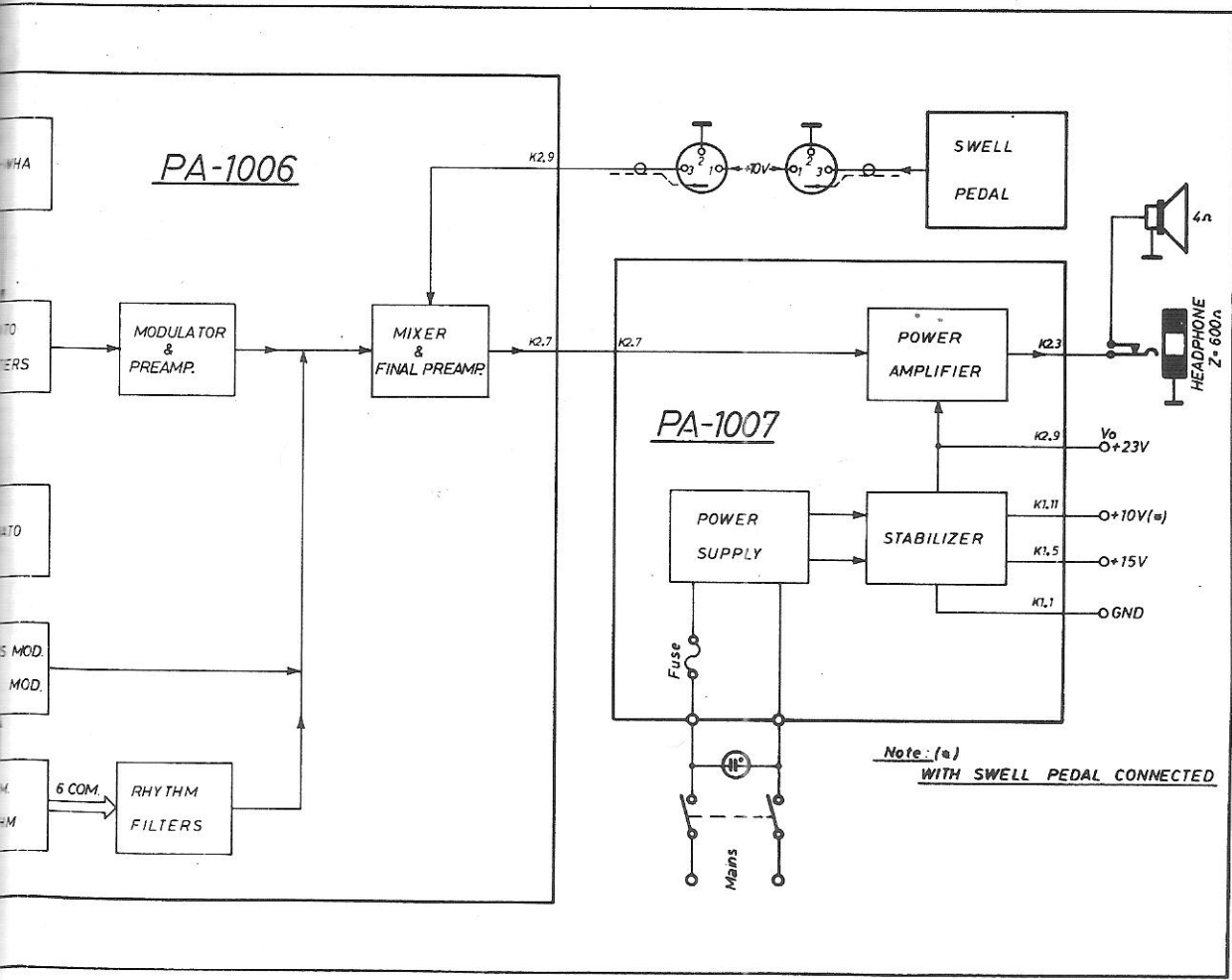
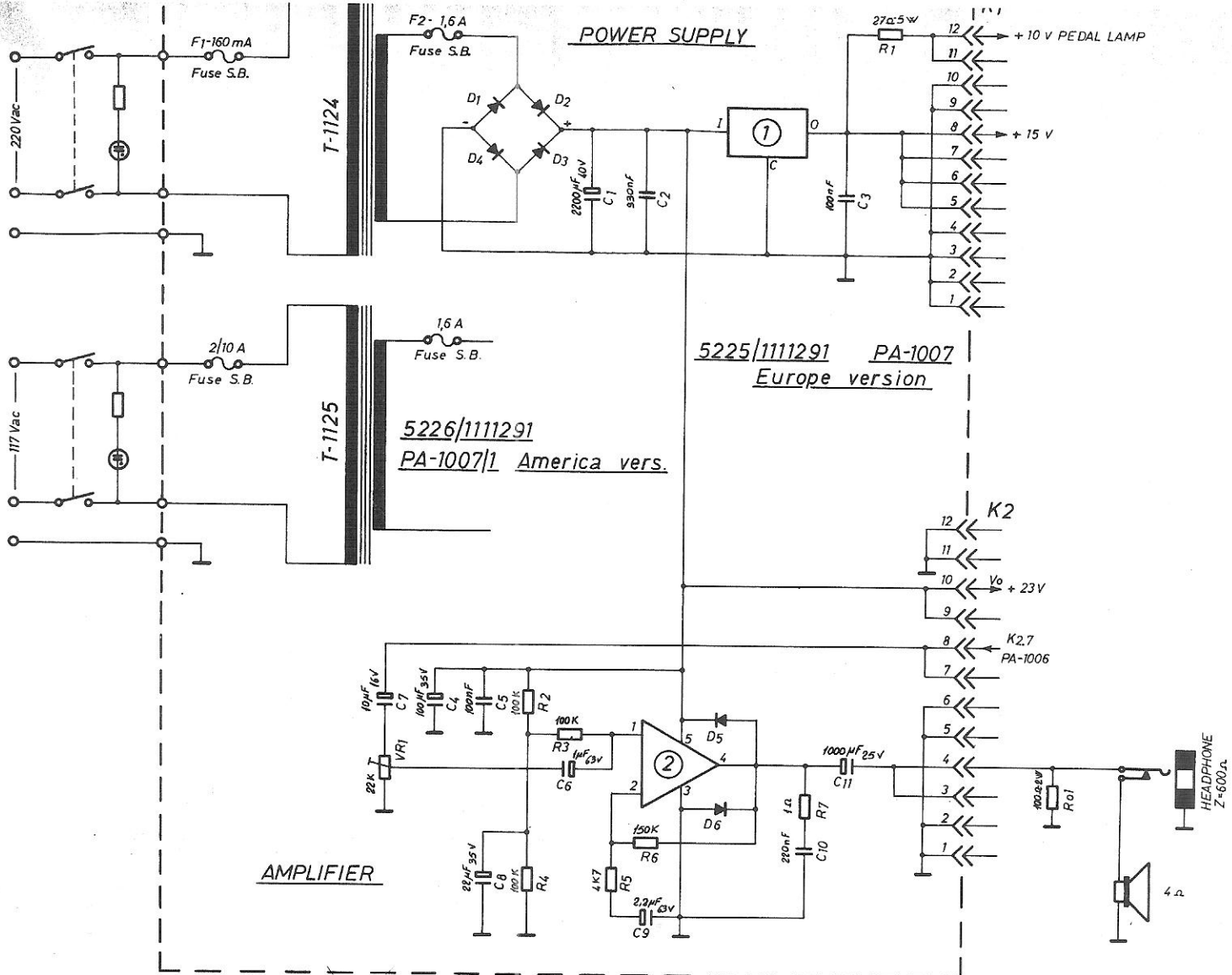
All tabswitches shown in OFF position

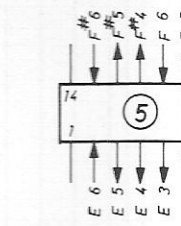
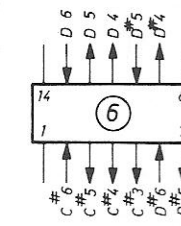
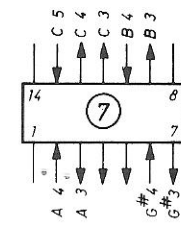
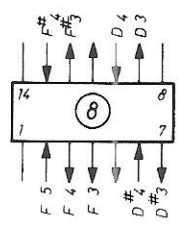
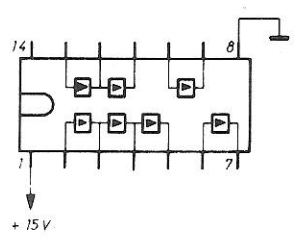
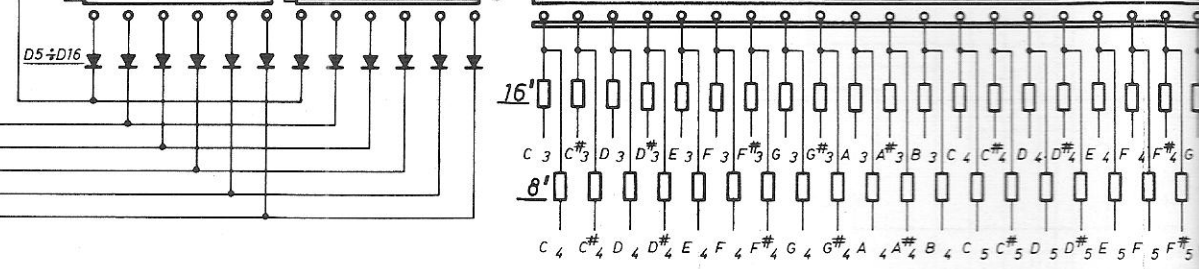
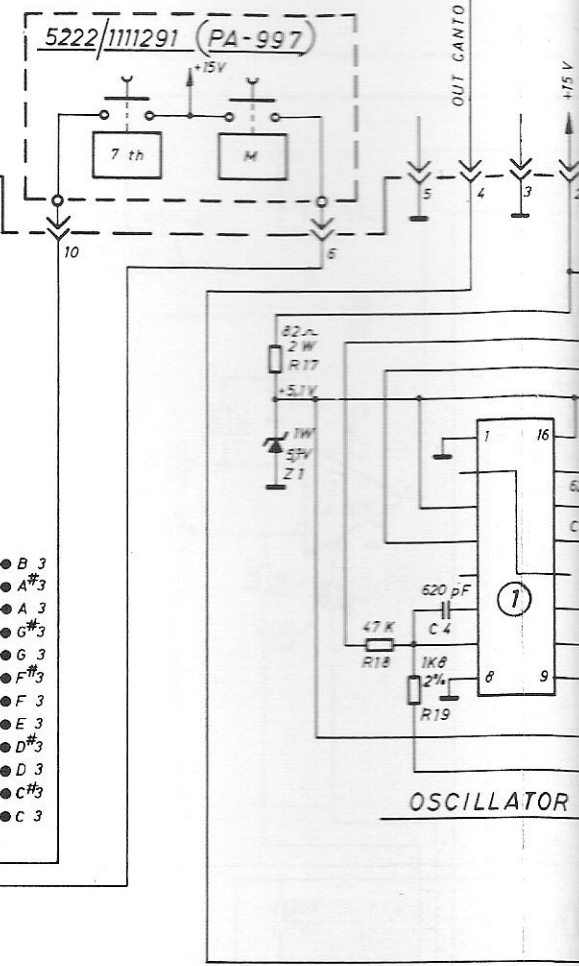
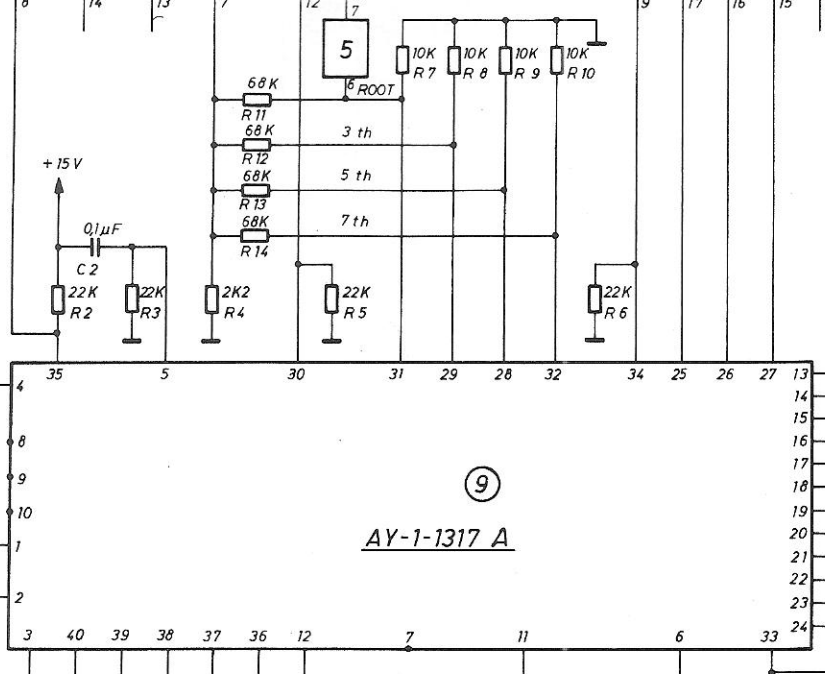
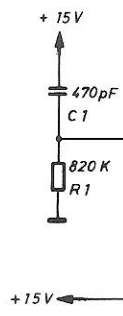
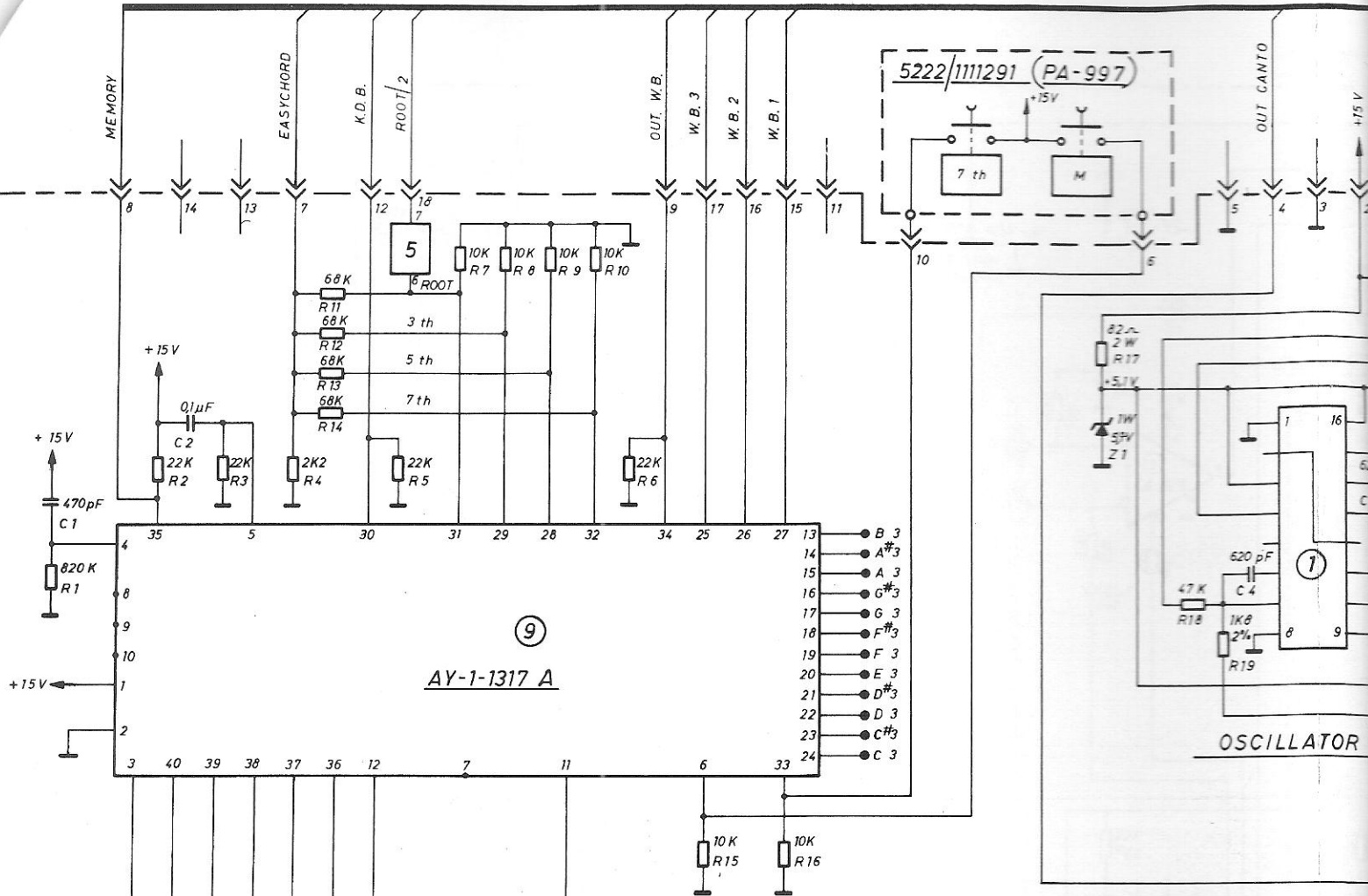
All keyswitches shown in OFF position

See part list for component part numbers

All D.C. voltages measured to ground with a voltmeter 20.000  $\Omega/V$

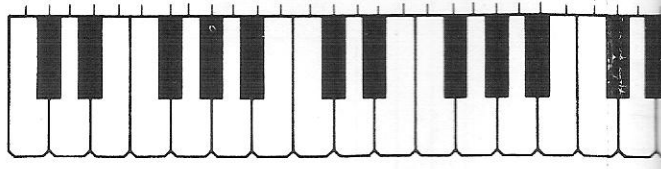


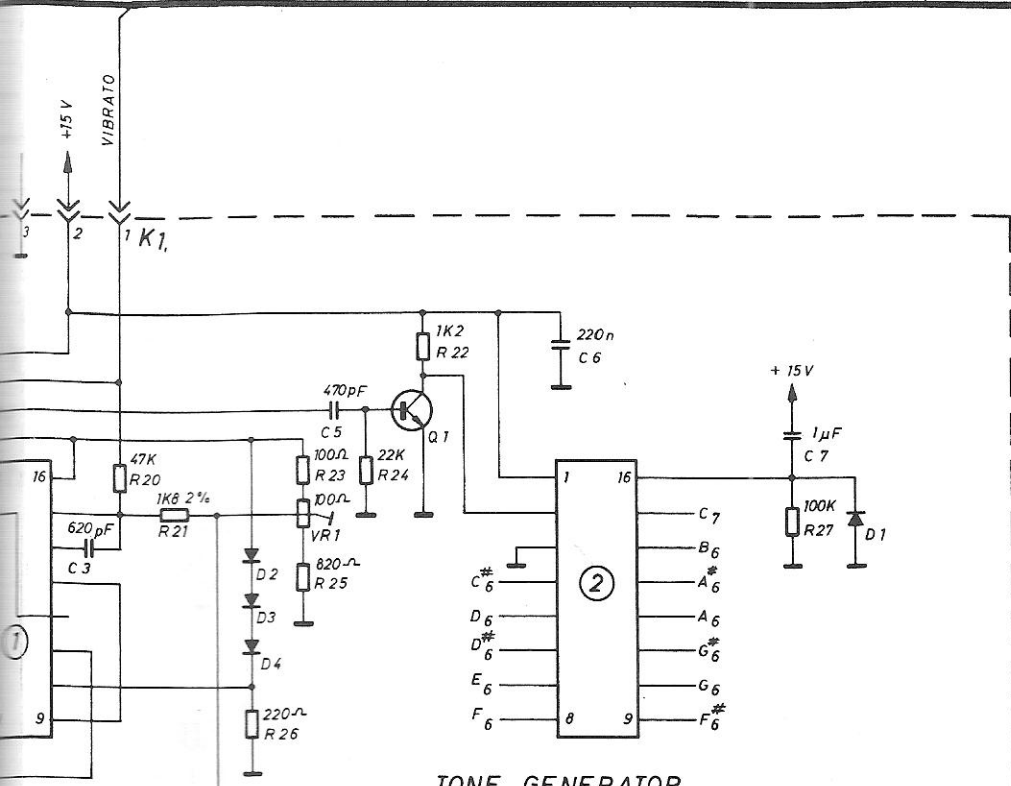




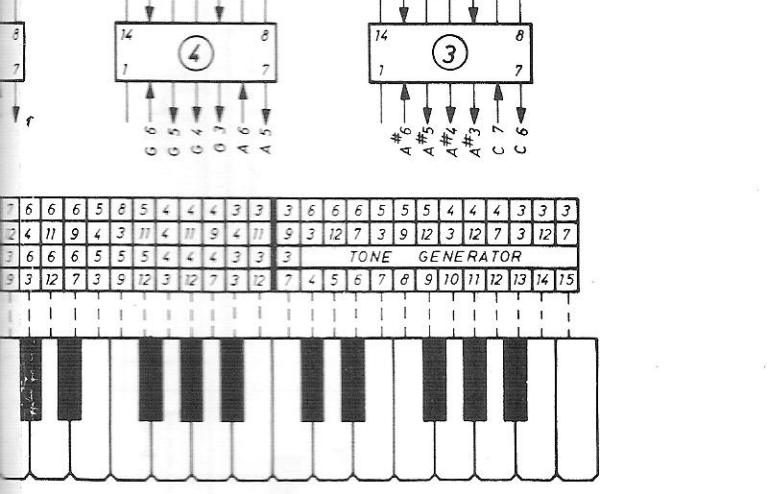
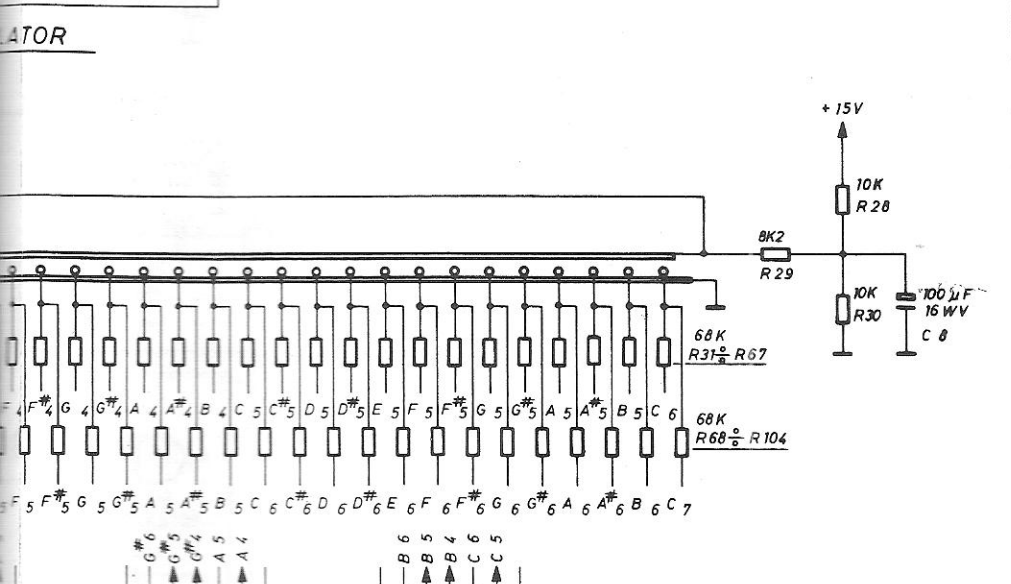
5223/111291 (PA-1005)

16'	I. C.																	
	PIN																	
8'	I. C.																	
	PIN																	



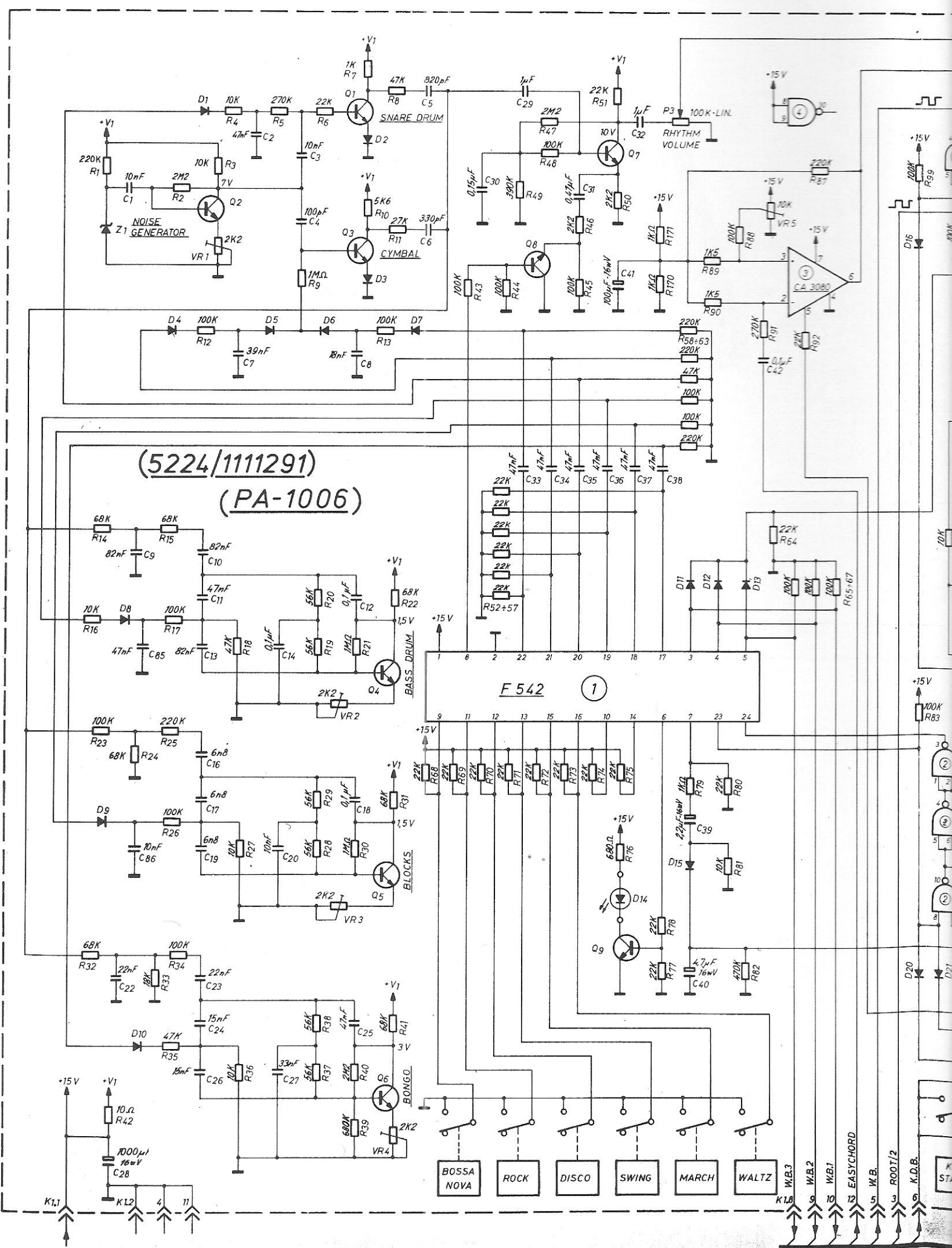


TONE GENERATOR



Note	Frequency
C#6	1108 Hz
D 6	1174 Hz
D#6	1244 Hz
E 6	1318 Hz
F 6	1396 Hz
F#6	1480 Hz
G 6	1568 Hz
G#6	1661 Hz
A 6	1760 Hz
A#6	1864 Hz
B 6	1975 Hz
C 7	2093 Hz

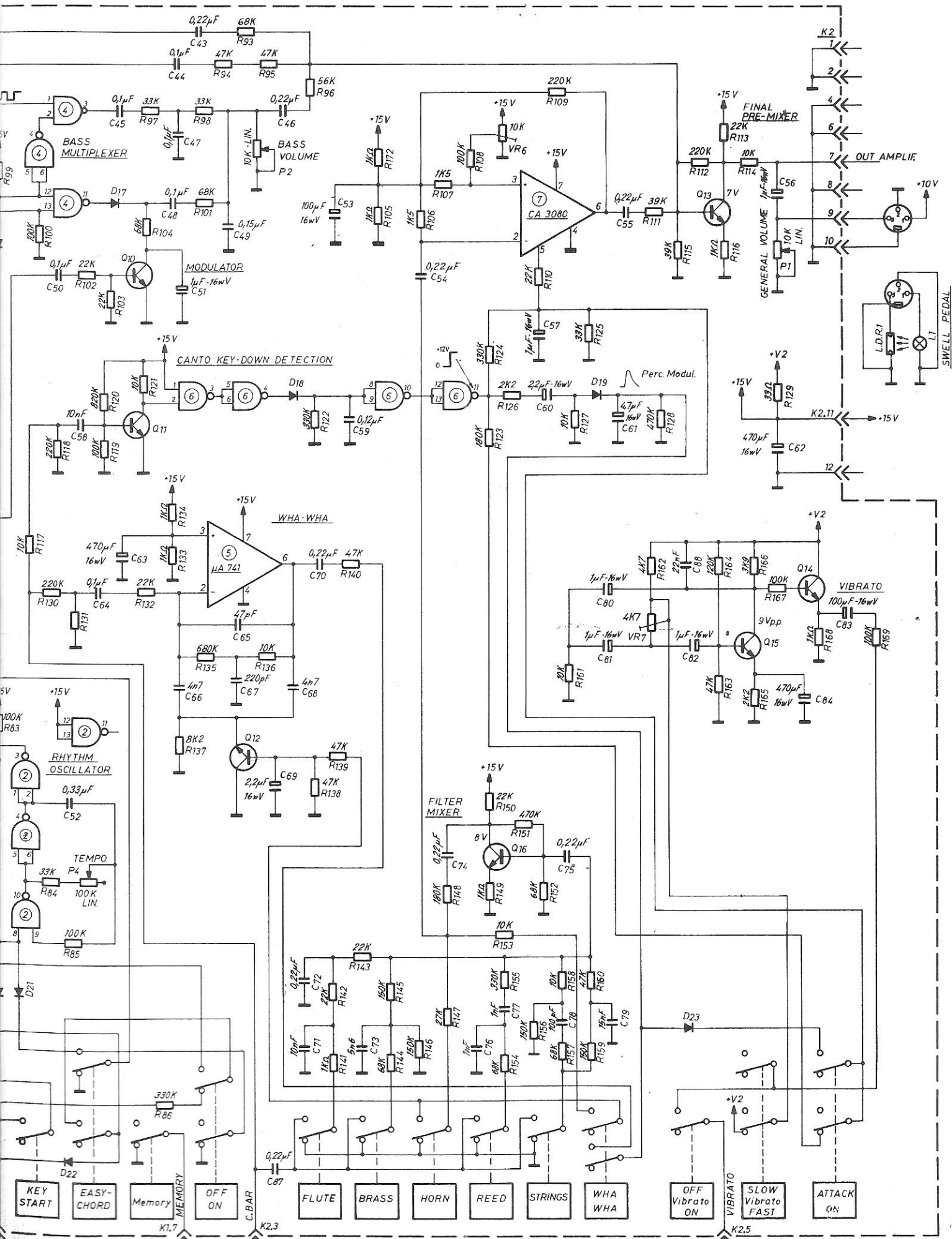
DRAWN BY 	Date 12-7-79	MODEL <b>BRAVO</b>	Serial N°	Serial N°	Serial N°
CHECKED BY 	Date 12-8-79	CODE <b>SE-287</b>	Revision	Revision	Revision
APPROVED BY 	Date 12-2-78		DWG <b>1</b> OF <b>1</b>	Date	Date



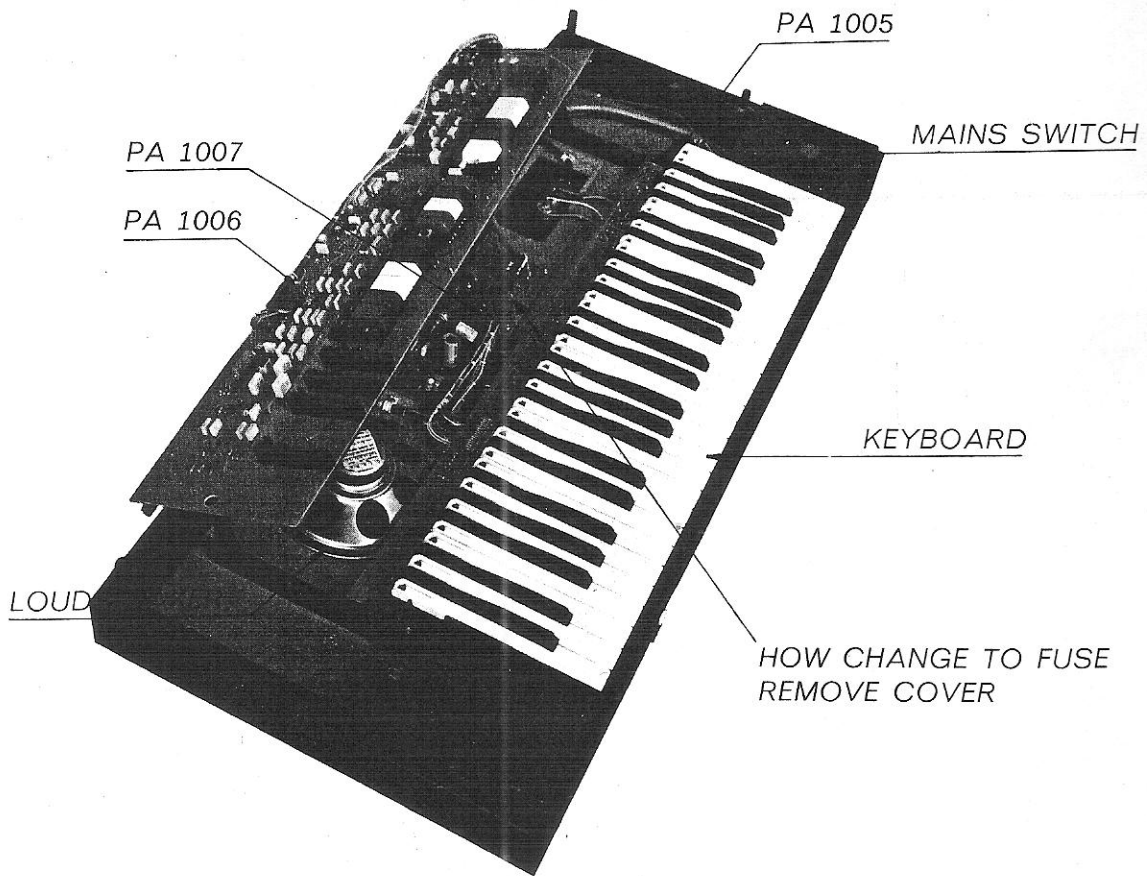
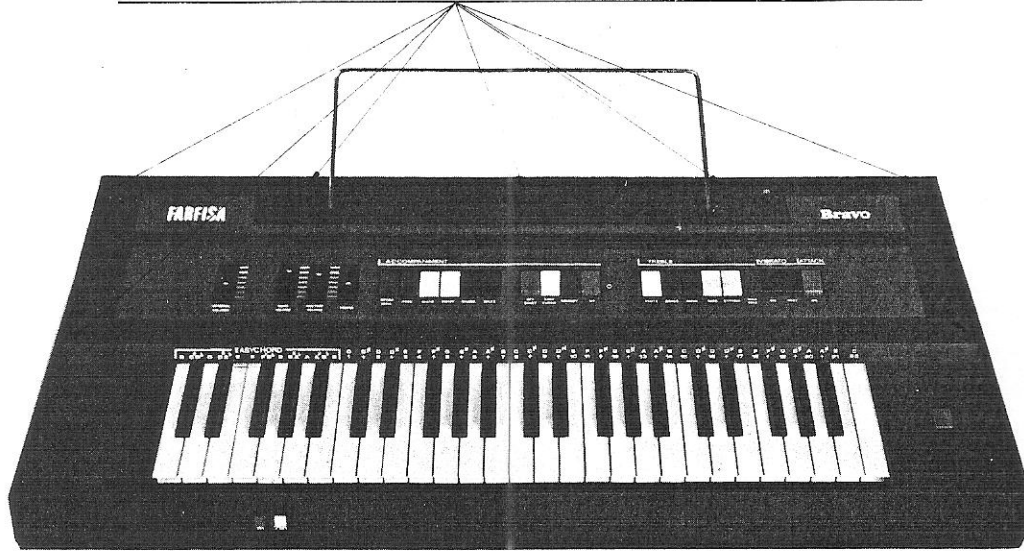
(5224/1111291)  
 (PA-1006)

**F 542** (1)

- BOSSA NOVA
  - ROCK
  - DISCO
  - SWING
  - MARCH
  - WALTZ
- K1.8    W.B.3    W.B.2    W.B.1    W.B.    EASYCHORD    W.B.    ROOT/2    K.D.B.



REMOVE SCREWS TO REACH INSIDE THE INSTRUMENT



**FARFISA**

Farfisa is a subsidiary  
of Lear Siegler, Inc.